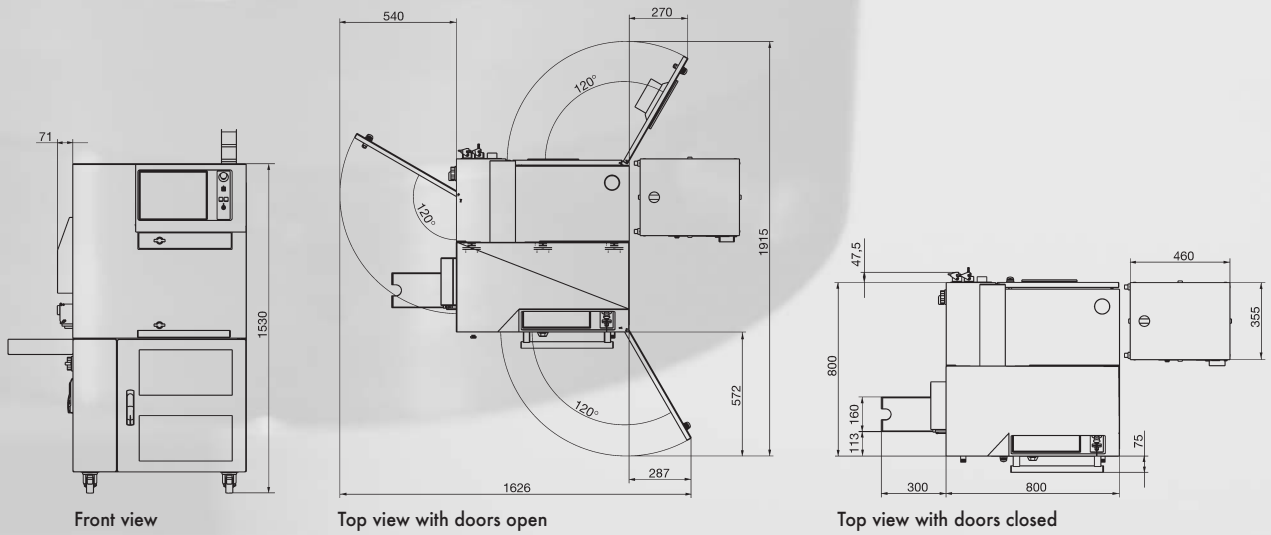


# LabelMarker Advanced

Integrated system for high-speed  
marking and cutting of labels



WE  
THINK  
LASER



## Technical Data

### Dimensions and weight

|                        |                                  |
|------------------------|----------------------------------|
| Footprint:             | 800 mm x 800 mm                  |
| Height:                | 1530 mm                          |
| Power supply handling: | 400V, 3P/N/PE, 50/60Hz           |
| Air pressure:          | 6 bars                           |
| Weight:                | 370 kg                           |
| Marking field, size:   | 180 mm x 114 mm (180 mm x 94 mm) |

### Components

Automatic foil feeding  
 Sensors to detect: foil jam, begin and end of foil  
 Splice recognition including automatic further processing  
 Pneumatically driven knife  
 Option: OPC maintenance interface

### Label Data

|                        |                                     |
|------------------------|-------------------------------------|
| Foil type:             | acrylate or PET foil                |
| Roll width:            | 100 or 120 mm, tolerance +/- 0.5 mm |
| Core diameter:         | 76 mm                               |
| Roll outside diameter: | max. 300 mm                         |
| Roll weight:           | max. 10 kg                          |
| Foil thickness:        | 0.1 - 0.25 mm                       |

### Color

RAL 7016, RAL 9002



ROFIN-SINAR Laser GmbH  
Dieselstr. 15  
85232 Bergkirchen/Günding  
Tel: +49(0)8131-704-0  
Fax: +49(0)8131-704-100  
email: info@rofin-muc.de

Carl Basel Lasertechnik GmbH & Co. KG  
Petersbrunner Str. 1b  
82319 Starnberg  
Tel: +49(0)8151-776-0  
Fax: +49(0)8151-776-159  
email: info@basel.de

ROFIN-SINAR Laser GmbH  
Berzeliusstr. 83  
22113 Hamburg  
Tel: +49(0)40-733 63-0  
Fax: +49(0)40-733 63-100  
email: info@rofin-ham.de

MARKING

MICRO

MACRO

